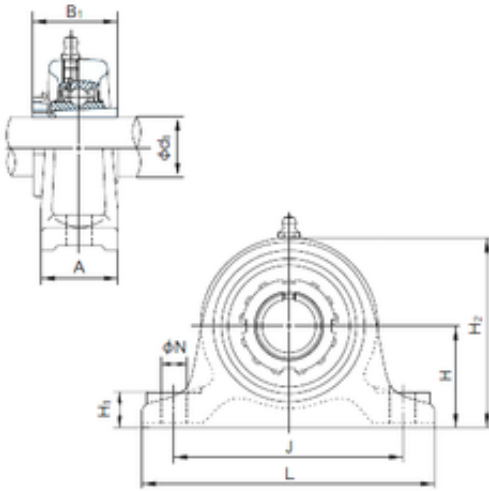




NACHI UKIP213+H2313 Bearing Units

Bearing No. UKIP213+H2313



UKIP213+H2313 Bearing 2D drawings and 3D CAD models

Bore Diameter	60 mm
Width	90 mm
d	60 mm
A	70 mm
B1	65 mm
H	90 mm
H1	30 mm
H2	172 mm
J	220 mm
L	280 mm
N	22 mm
Bolt (G)	M20